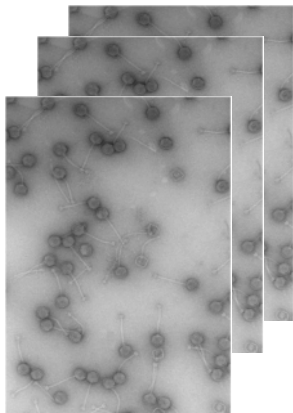
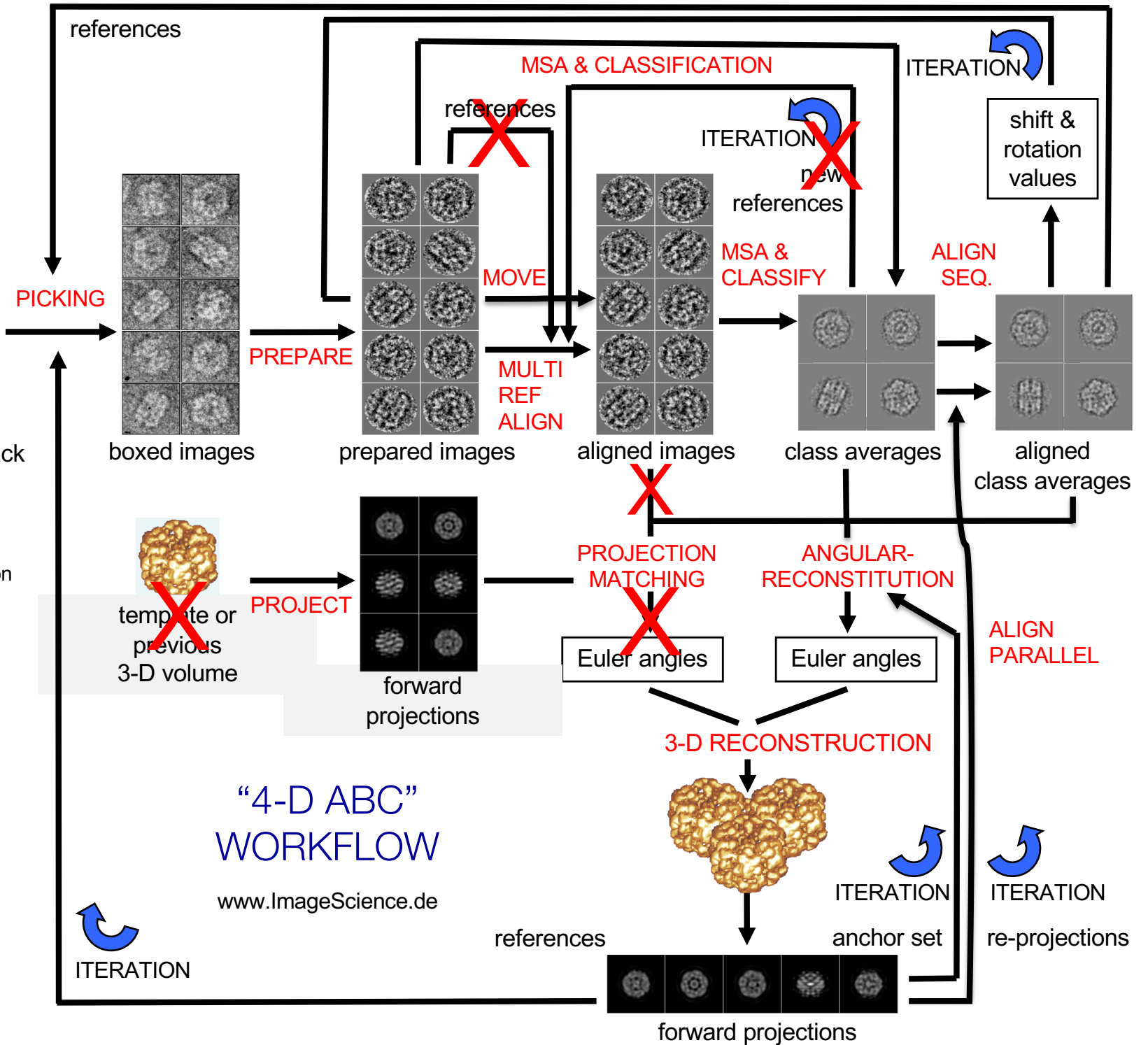


micrograph (patches) stack

PRE-PROCESSING
camera & anisotropy correction
movie alignment
pretreatment



micrographs



"4-D ABC" WORKFLOW

www.ImageScience.de



ITERATION



ITERATION



ITERATION